

PVC mat with N/A and N/C output for contact sensor

Technical Note P/N 01335-5000-00 - rev. 1 del 24/11/2021

The **PVC mat with N/A and N/C output** is a device designed to indicate the presence of a person on the surface on which the device is installed. Connected to a sensor for N/A and N/C contacts, it communicates data to the MyVirtuoso Home gateway or to any other gateway that supports the Z-Wave protocol.





PVC mat with N/A and N/C output for contact sensor

Technical Note P/N 01335-5000-00 - rev. 1 del 24/11/2021

Features

Code: 01335-5000-00

Dimensions: 68 (A) x 55,4 (L) x 84,5 (P) mm

Devices and accessories

For the correct operation of the PVC mat with N/A and N/C output, the following device from the MyVirtuoso Home line is required.

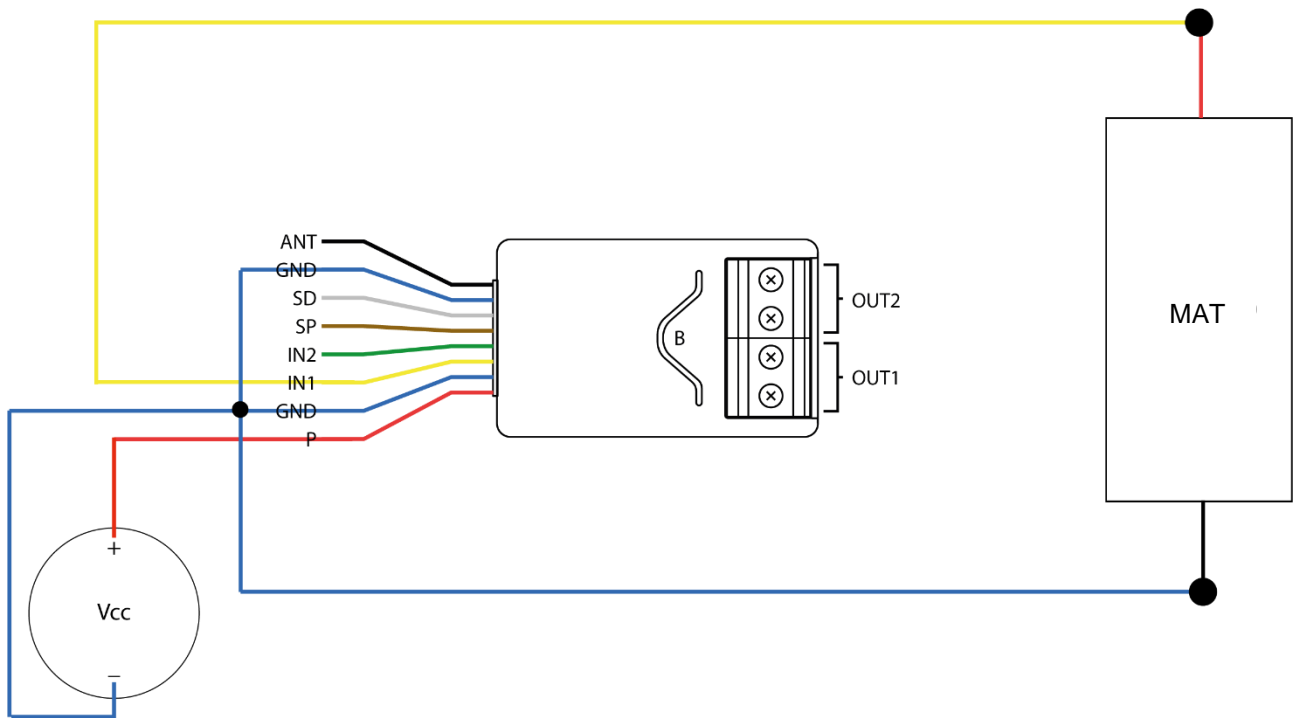
- Sensor for N/A and N/C and temperature (Art. 01335-1362-00)

NOTE! For further information on the devices and accessories, consult the relevant technical data sheets in the "[Downloads](#)" section of the MyVirtuoso Home website.

PVC mat with N/A and N/C output for contact sensor

Technical Note P/N 01335-5000-00 - rev. 1 del 24/11/2021

Electrical Circuit



SmartDHOME

SmartDHOME Srl
V.le Longarone 35, 20058 Zibido San Giacomo (MI)

info@smartdhome.com

Codice Prodotto: 01335-5000-00

Rev. 11/2021