

Temperature and humidity sensor with display and setpoint adjustment

Technical Note P/N 01335-1920-00 - rev. 1 28/12/2020

The temperature and humidity sensor with display and setpoint adjustment is a battery thermostat designed to be used in heating management and is part of the MyVirtuoso Home product range.

The battery power supply allows it to be installed in any room of your home and it will be able to send the switch on or switch off information to the devices that switch on and switch off the boiler (OpenTherm MyOT actuator and ON/OFF actuator), thanks to the setpoint management.

The communication between the Sensor and the gateway takes place via the **Z-Wave wireless network**, eliminating any wiring requirement, especially if there is no wire connection to the boiler.

The thermostat is also equipped with a proximity sensor that will automatically turn on the display by approaching the hand in order to minimizing the consumption of batteries. The device also has a child block to prevent its programming from being changed.



Temperature and humidity sensor with display and setpoint adjustment

Technical Note P/N 01335-1920-00 - rev. 1 28/12/2020

Features

Protocol: Z-Wave.

Power supply: 3 AA batteries.

Temperature detection: 0-60 ° C

Humidity detection: 0-85%

Hysteresis: 0.3-3.0 ° C.

Wireless range: about 30m.

Protection: IP21.

Dimensions: 85 x 85 x 25 mm.

Fixing: with dowels, double-sided adhesive or on standard 502 wall box.

Wireless certification: Z-Wave Plus.

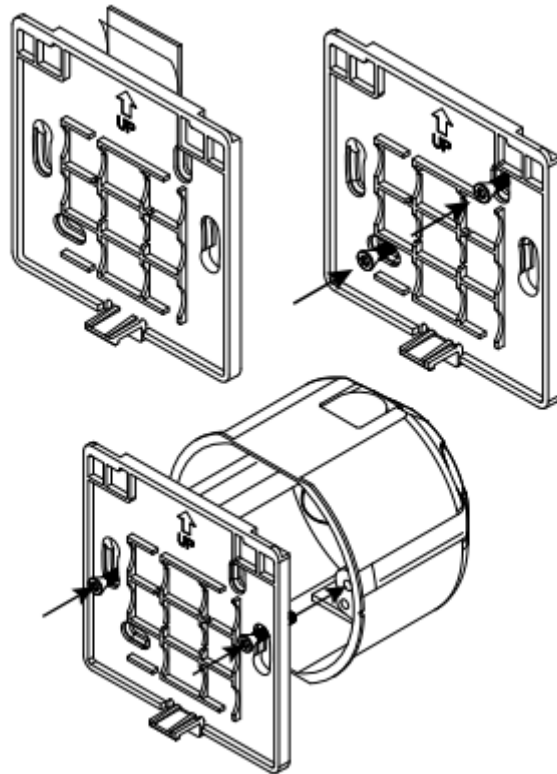
Certificazioni: RED 2014/53/EU, ETSI EN 301 489-1 V2.2.3 (2019-11), ETSI EN 301 489-3 V2.1.1 (2019-03), ETSI EN 300 220-1 V3.1.1 (2017-02), ETSI EN 300 220-2 V3.2.1 (2018-06), EN 62479:2010, EN 62368-1:2014+A11:2017, RoHS 2011/65/EU.

Accessories

01335-4002-00 - Power supply for mains connection of devices powered by 3 AA batteries.

Temperature and humidity sensor with display and setpoint adjustment

Technical Note P/N 01335-1920-00 - rev. 1 28/12/2020



Method of fixing



Temperature and humidity sensor with display and setpoint adjustment

Technical Note P/N 01335-1920-00 - rev. 1 28/12/2020



SmartDHOME

SmartDHOME Srl
V.le Longarone 35, 20058 Zibido San Giacomo (MI)
info@smartdhome.com
Rev. 12/2020