

## MID certified single jet water meters Dimensions and models

---

A water meter designed to measure the volumes of water consumed by connected water users.



[www.ecodhome.com](http://www.ecodhome.com)  
[www.smartdhome.com](http://www.smartdhome.com)

**SmartDHOME**

# MID certified single jet water meters

## Dimensions and models

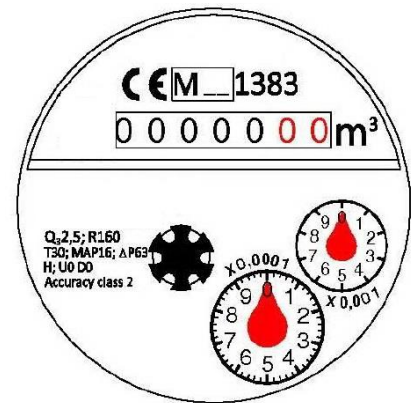
### Features

Water measurement	Hot and Cold
Communication	Pulse
Metrological class	2
Maximum operating temperature	50 °C (cold water version), 90 °C (hot water version)
Degree of protection	IP68
Indicator	7 digits with rotary registers

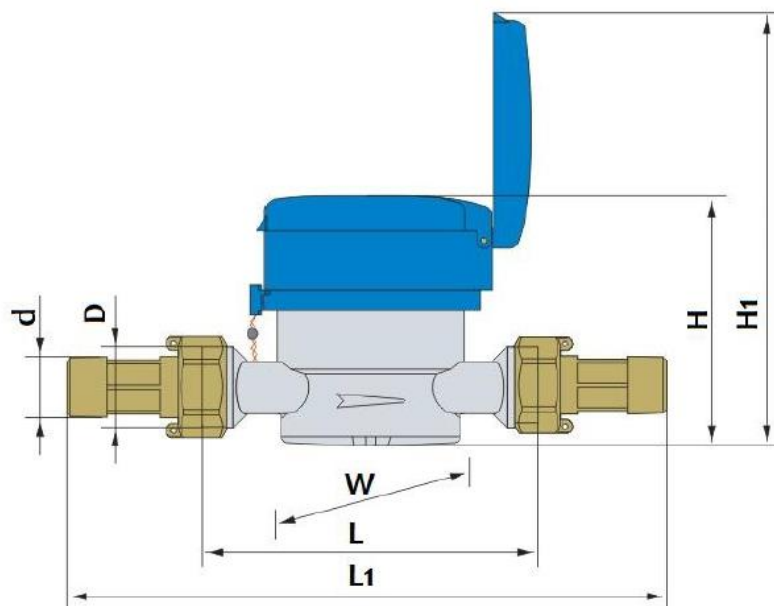
### Compatibility with rules and regulations

Compliant with Directive 2004/22 / EC relating to measuring instruments (MID).

Compliant with the European Directive UNI EN 14154 relating to water meters and certification procedures.



### Dimensions



## MID certified single jet water meters

### Dimensions and models

	DN15	DN20	DN25
<b>L</b>	110	130	160
<b>L<sub>1</sub></b>	204	234	280
<b>D</b>	G3/4B	G1B	G1-1/4B
<b>d</b>	R1/2	R3/4	R1
<b>H</b>	84.5	84.5	106
<b>H<sub>1</sub></b>	145.5	145.5	167
<b>W</b>	81.5	81.5	84

	DN	DN15	DN20	DN25
<b>R</b>	Q <sub>3</sub> /Q <sub>1</sub>	160	160	160
<b>Q<sub>4</sub></b>	m <sup>3</sup> /h	3,125	5	7,875
<b>Q<sub>3</sub></b>	m <sup>3</sup> /h	2,5	4	6,3
<b>Q<sub>2</sub></b>	l/h	25	40	6,3
<b>Q<sub>1</sub></b>	l/h	15,625	25	39,375
<b>Max. Reading</b>	m <sup>3</sup>	99999,9999		
<b>Max. Reading</b>	Liter	0.02		
<b>Pressure Loss</b>	ΔP	ΔP>63 at Q <sub>3</sub>		
<b>Max. Pressure</b>	MAP	MAP16		
<b>Max. Temperature</b>	T	T30 or T50		

### Elenco modelli disponibili

01336-8180-00	Water meter for hot water (90 ° C) single jet DN15 medium flow rate 2,5 m <sup>3</sup> /h with pulse interface
01336-8185-00	Water meter for hot water (90 ° C) single jet DN20 medium flow rate 4,0 m <sup>3</sup> /h with pulse interface
01336-8190-00	Water meter for hot water (90 ° C) single jet DN55 medium flow rate 5,0 m <sup>3</sup> /h with pulse interface
01336-8380-00	Water meter for cold water (50 ° C) single jet DN15 medium flow rate 2,5 m <sup>3</sup> /h with pulse interface
01336-8385-00	Water meter for cold water (50 ° C) single jet DN20 medium flow rate 4,0 m <sup>3</sup> /h with pulse interface
01336-8390-00	Water meter for cold water (50 ° C) single jet DN25 medium flow rate 5,0 m <sup>3</sup> /h with pulse interface

For more information and prices, send an email to [info@smarthome.com](mailto:info@smarthome.com) indicating the device you are interested in.

# MID certified single jet water meters

## Dimensions and models

---



**SmartDHOME**

SmartDHOME Srl  
V.le Longarone 35, 20058 Zibido San Giacomo (MI)  
[info@smartdhome.com](mailto:info@smartdhome.com)

MID certified single jet Water meter  
Rev. 01/2022