

Ultrasonic heat / cool meter with Modbus or pulse interface

Dimensions and models

Designed to **detect the thermal energy consumption of each individual user**, the SmartDHOME ultrasonic Heat / Cool meter is the **most versatile solution for heat / cooling meters**. The compact and sturdy structure makes them perfect for any mounting, both horizontal and vertical.



www.ecodhome.com
www.smartdhome.com

SmartDHOME

Ultrasonic heat / cool meter with Modbus or pulse interface

Dimensions and models

Features

Communication	Modbus, pulse
Pressure lost	$\Delta P < 25 \text{ kPa a qp}$
Maximum operating pressure	1.6 Mpa
Temperature sensor	Pair of PT1000 platinum resistors
Accumulation	0.1 kWh – 9999999.9 kWh
Metrological class	2
Battery	3.6 Vdc, lithium battery, life 11 years
Operating temperature	4 – 95 °C, 3 – 65 K
Degree of protection	IP65
Data storage up to 24 months	Historical data, including accumulated heat energy, volume, total heat energy, hours of operation, etc.

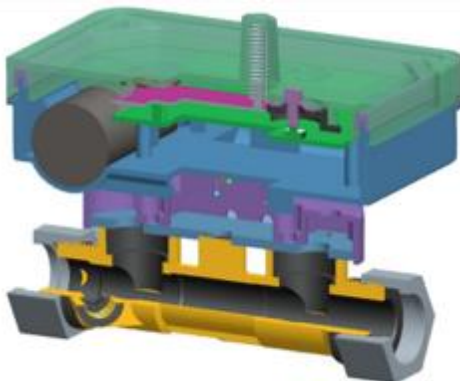
Compatibility with rules and regulations

Compliant with the **European Directive UNI EN 13757** relating to communication systems for meters

Compliant with **standard EN 1434**



Measurement improvement



Energy consumption reduced by 18%

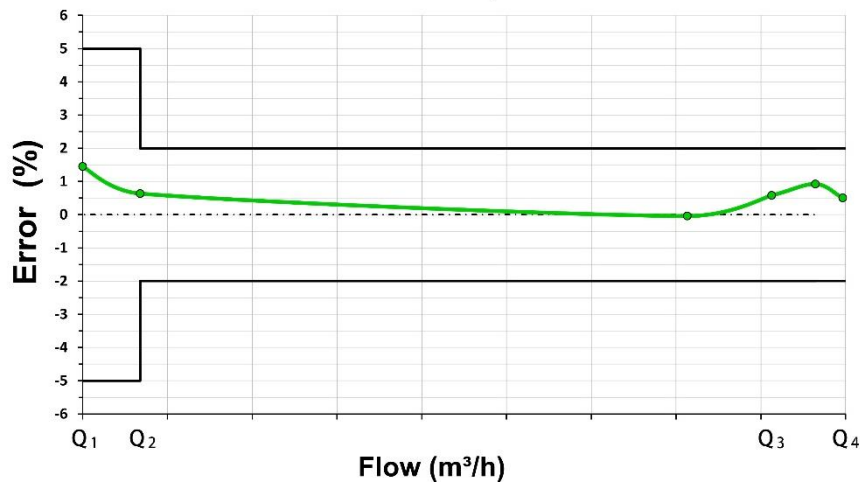
Ultrasonic heat / cool meter with Modbus or pulse interface

Dimensions and models

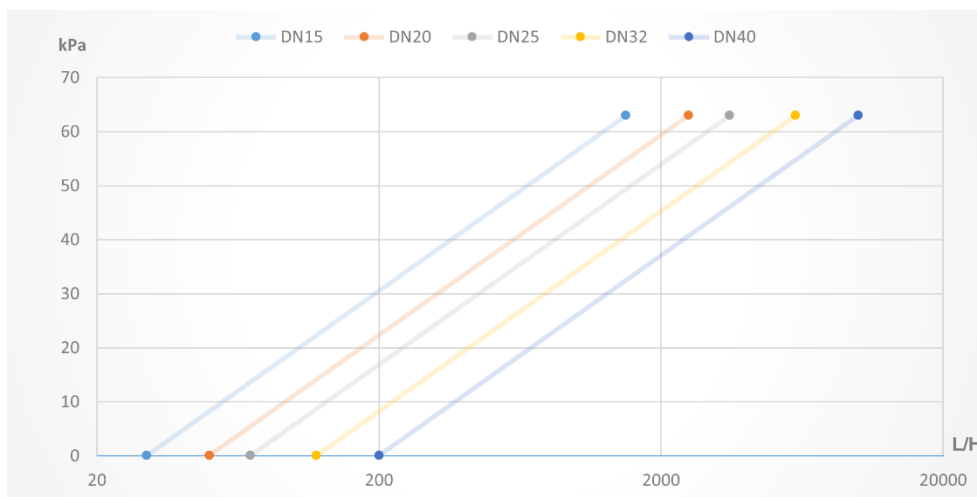
Dimensions

DN (mm)	Portata (m ³ /h)				Dimensione (mm)		Attacco
	q _i	q _p	q _s	Sovraccarico	L	P	
15	0.03	1.5	3.0	4.5	110	96	G ¾'
20	0.05	2.5	5.0	6.5	130	105	G1'
25	0.07	3.5	7.0	10.0	160	110	G1 ¼'
32	0.12	6.0	12.0	18.0	180	120	G1 ½'
40	0.2	10.0	20.0	24.0	200	130	G2'

Accuracy curve



Pressure lost



M-Bus
wireless

LoRa

Ultrasonic heat / cool meter with Modbus or pulse interface

Dimensions and models

Available models list

01336-5101-00	DN15 medium flow rate 1.5 m ³ /h with pulse interface
01336-5116-00	DN20 medium flow rate 2.5 m ³ /h with pulse interface
01336-5121-00	DN25 medium flow rate 3.5 m ³ /h with pulse interface
01336-5126-00	DN32 medium flow rate 6.0 m ³ /h with pulse interface
01336-5131-00	DN40 medium flow rate 10.0 m ³ /h with pulse interface
01336-5133-00	DN50 medium flow rate 15.0 m ³ /h with pulse interface
01336-5135-00	DN65 medium flow rate 30.0 m ³ /h with pulse interface
01336-5137-00	DN80 medium flow rate 45.0 m ³ /h with pulse interface
01336-5139-00	DN100 medium flow rate 60.0 m ³ /h with pulse interface
01336-5180-00	DN15 medium flow rate 1.5 m ³ /h with Modbus interface
01336-5185-00	DN20 medium flow rate 2.5 m ³ /h with Modbus interface
01336-5190-00	DN25 medium flow rate 3.5 m ³ /h with Modbus interface
01336-5195-00	DN32 medium flow rate 6.0 m ³ /h with Modbus interface
01336-5205-00	DN40 medium flow rate 10.0 m ³ /h with Modbus interface

For more information and prices, send an email to info@smarthome.com indicating the device you are interested in.

Ultrasonic heat / cool meter with Modbus or pulse interface
Dimensions and models



SmartDHOME

SmartDHOME Srl
V.le Longarone 35, 20058 Zibido San Giacomo (MI)

info@smartdhome.com

Ultrasonic Heat/Cool meter

Rev. 01/2022